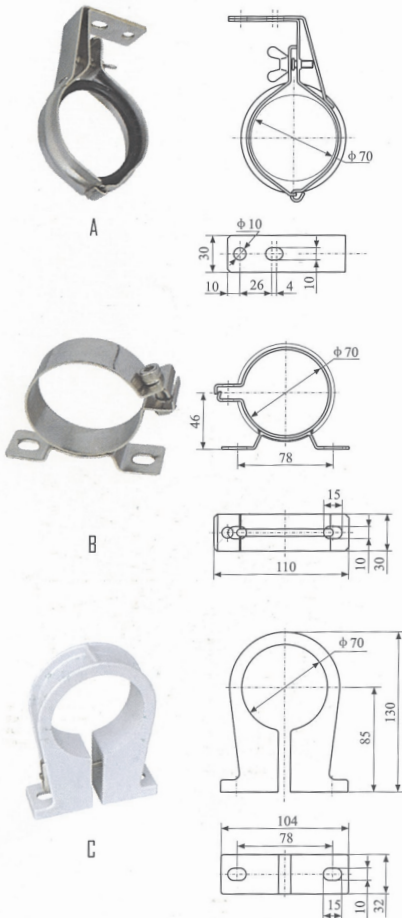
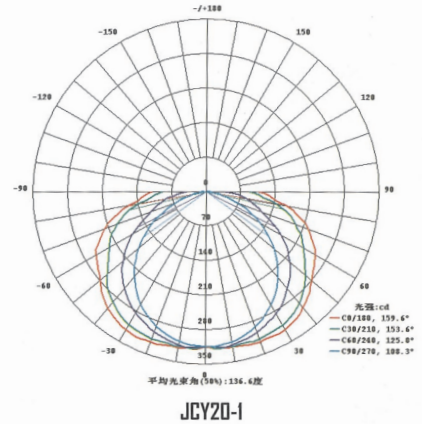


型号 type	L
JCY20	1150
JCY40	1850



#### 适用范围

适用于各类船舶有滴水、溅水和凝水的场所照明之用，如机炉舱、干货舱、轴隧、管弄、露天甲板等场所作照明之用；工作环境温度为-20℃~+55℃。

#### 产品特点

1. 采用密封结构，具有高防水能力，体积紧凑，外观精美；
2. 选用旋转式进口灯座，内部接线方便等特点；
3. 灯具内配有补偿电容，启动效果好等特点。
4. 该灯具具有A,B,C三种安装支架，订货时请注明

#### 采用标准

符合IEC60092-306-2009标准与《钢质海船入级规范》。

#### 产品认证

经中国船级社"CCS"型式认可。

#### The scope of application

Applied to illumination of water dripping, water spattering, water coagulating place in ships, such as oven cabin, dry cabin, tunnel, pipeline and weather deck etc. The environmental temperature for work is -20℃~+55℃.

#### Products characteristic

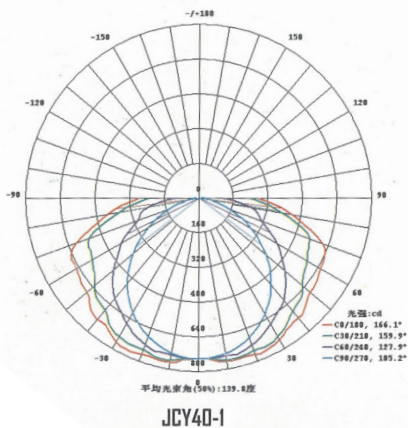
1. Adopt seal structure, and have high waterproof performance, has compact structure and delicacy appearance.
2. Adopt the import spin-type of lamp holder performance, and it is convenient to connect inside.
3. Equipped compensating capacitance inside the light, also has the good effect of start.
4. This light has three types brackets, Pls mark when order

#### Adopt nstandard

Conform to IEC60092-306-2009 standard and GRADE ENTRY NORMS FOR STEEL SHIPS.

#### Production authentication

The product approved by the CCS(China Classification Society).



型号 Type	JCY20-1	JCY40-1
功率 Power	1*20W	1*40W
补偿电容 Compensating capacitance	4.75 μf	4.75 μf
重量 Weight	3kg	4.2kg
电压 Voltage	100V/60Hz, 220V/50Hz, 220V/60Hz	
功率因数 Power factor	>0.85	
灯座 Lamp holder	G13	
电缆外径 Cable outside diameter	Φ8-Φ13	
防护等级 Protection class	IP68	