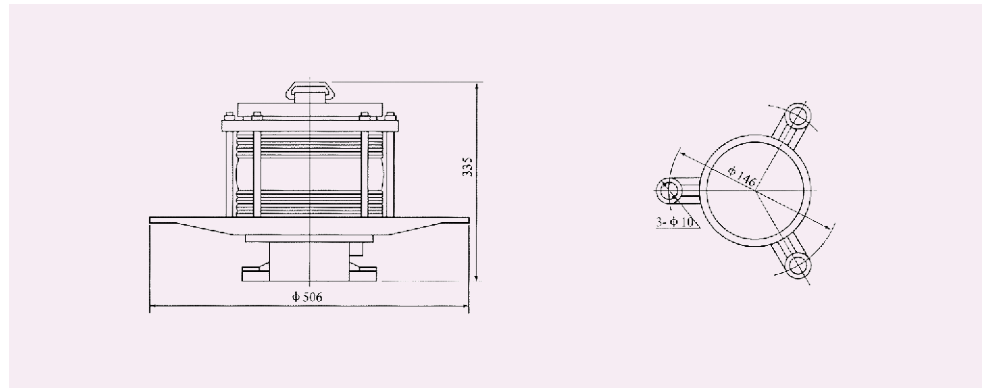
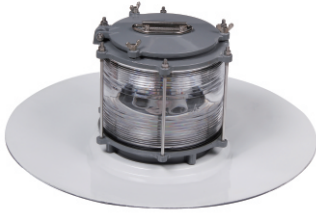


CXD7,CXD7-B莫氏信号灯  
MORSE SIGNAL LIGHT



**适用范围 The scope of application :**

适用于各类船舶作莫氏信号灯光通讯识别之用。

Applied to identification of the Morse signal light communication of ships.

**产品特点 Products characteristic:**

- 1、壳体采用优质铸铝或铸铜(材料为铜的型号为CXD7-B)模压成型，灯罩采用PC注塑成型，结构坚固；
- 2、灯具采用密封结构，防水性能良好；
- 3、配置专用船舶信号灯泡。

1. The shell is made of good quality cast aluminum or cast brass(type of CXD7-B) , lampshade adopts injection of PC, the structure is firm.

2. The lamp adopts the seal structure, and has fine waterproof.

3. Equipped the special ship signal bulb.

**采用标准 Adopt standard:**

符合《1972年国际海上避碰规则》和《钢质海船入级规范》：

Conform to THE INTERNATIONAL REGULATIONS FOR PREVENTINGS COLLISION AT SEA 1972 and GRADE ENTRY NORMS FOR STEEL SHIPS.

**主要技术参数 Main technical parameter**

可见距离Visibility	> 5n.m
水平光角Horizontal optical angle	3600
灯座Lamp holder	B22d
电压及功率Voltage/Power	220V/3x25W、110V/3x25W
透镜颜色Lens color	透明
防护等级Protection class	Ip55
重量Weight	6.4kg
电缆外径Cable outside diameter	φ 14- φ 16