

适用范围: The scope of application:

适用各类船舶作航行灯光信号或在抛锚、搁浅时作灯光信号之用。

Applied to the ships as for navigation lamp signal or use for anchor and take the ground as lamp signal.

产品特点: Products characteristic:

1. 壳体采用优质冷轧板模压成型, 灯罩采用优质玻璃模压成型;

2. 壳体结构具有密封性能好, 拆装方便;

1. The shell is made of good quality steel, lampshade adopts good quality glass.

2. The shell structure has fine seal performance, and it is convenient to install and remove.

产品认证: Production authentication:

1. 符合《1972年国际海上避碰规则》和《钢质海船入级规范》;

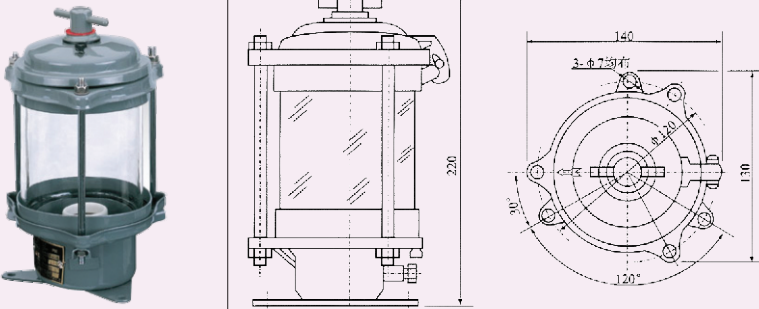
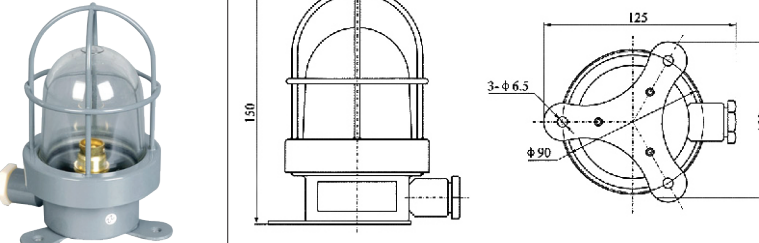
2. 符合GB/T 3028-1995要求。

1. Conform to THE INTERNATIONAL REGULATIONS FOR PREVENTINGS COLLISION AT SEA,1972 and GRADE ENTRY NORMS FOR STEEL SHIPS.

2. Conform to GB/T 3028-1995 standard.

规格: Specification

名称Name	型号Type	可见距离 Visibility	水平光弧 Level arc	灯座 Lamp holder	灯泡 Bulb	电缆外径 Cable outside diameter	防护等级 Protection class	材质 Material	颜色 Color	重量 Weight
锚灯 Anchor light	CXH8-1	3n.m	360°	E27	220V/40W 110V/40W	φ 10-φ 12	IP55	钢steel	明Transparent	1.7Kg
锚灯 Anchor light	CXH8-2	2n.m	360°	B15d	24V/15W 24V/30W			铝aluminium	明Transparent	0.75kg

	型号Type	CXH8-1
	名称Name	锚灯 Anchor light
	型号Type	CXH8-2
	名称Name	锚灯 Anchor light