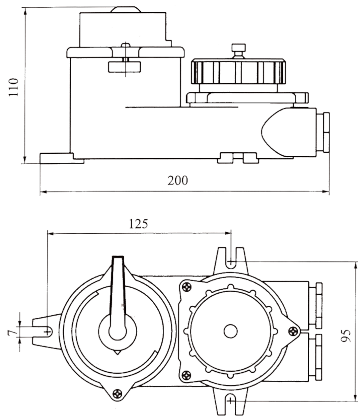
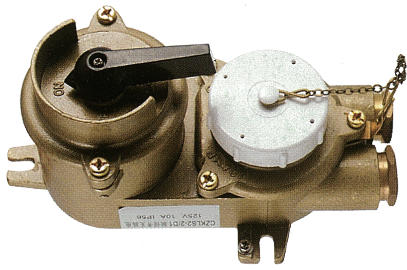


船用铜质带连锁开关插座
MARINE BRASS SOCKET WITH CHAIN SWITCH



技术特性:

1. 供舰船交直流低电压电器线路连接、接通与分断电路用;
2. 插头单极拔出应为 $\geq 4N$;
3. 导电部分的温升不超过40K;
4. 金属外表有可靠接地装置;
5. 盖板螺丝为M6防松螺钉。

产品认证

1. 通过欧共体CE认证;
2. 通过中国船级社"CCS"认证。

Technical characteristic

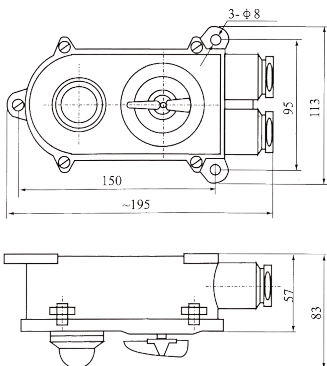
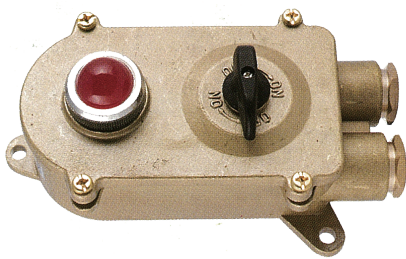
1. Used for connecting cutting on or off the appliance circuit with AC or DC low-voltage.
2. The single pole of plug pulled out should be not less than 4N.
3. The temperature rise of conductive part should don't exceed 40K.
4. The metal shell should have reliable earthing device.
5. The screw of cover plate is M6 locking screw.

Production authentication

1. Approved by CE.
2. Approved by CCS(China Classification Society).

插销示意图 Plug pin diagram				
额定电压 Rating voltage	125V	250V	500V	500V
型号 Type	CZKLS2-2/D1	CZKLS2-2/D2	CZKLS2-2/D3	CZKLS3-2/D3
额定电流 Rating current	10A	10A	10A	10A
重量 Weight	2.14kg	2.14kg	2.14kg	2.16kg
防护等级 Protection class	IP56			
电缆外径 Cable outside Diameter	$\phi 14 - \phi 16$			

船用铜质带连指示灯开关
MARINE BRASS SOCKET WITH INDICATOR LIGHT



技术特性:

1. 供舰船交直流低电压电器线路连接、接通与分断电路用;
2. 插头单极拔出应为 $\geq 4N$;
3. 导电部分的温升不超过40K;
4. 金属外表有可靠接地装置;
5. 盖板螺丝为M6防松螺钉。

产品认证

1. 通过欧共体CE认证;
2. 通过中国船级社"CCS"认证。

Technical characteristic

1. Used for connecting cutting on or off the appliance circuit with AC or DC low-voltage.
2. The single pole of plug pulled out should be not less than 4N.
3. The temperature rise of conductive part should don't exceed 40K.
4. The metal shell should have reliable earthing device.
5. The screw of cover plate is M6 locking screw.

Production authentication

1. Approved by CE.
2. Approved by CCS(China Classification Society).

防护等级 Protection class: IP56

电缆外径 Cable outside Diameter: $\phi 14 - \phi 16$

额定电压 Rating voltage: 250V

额定电流 Rating current: 10A

重量 Weight: 1.63kg