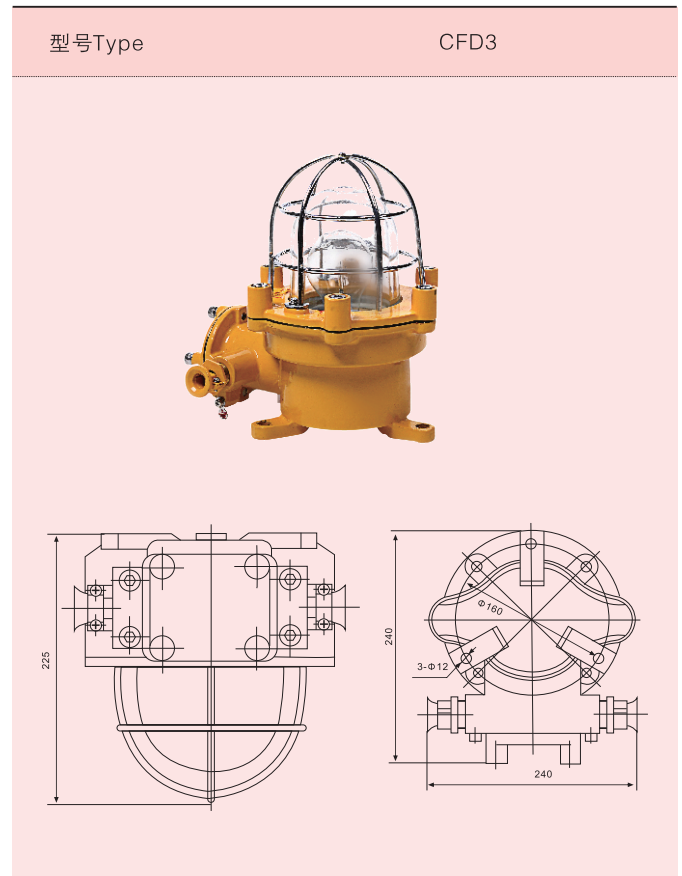
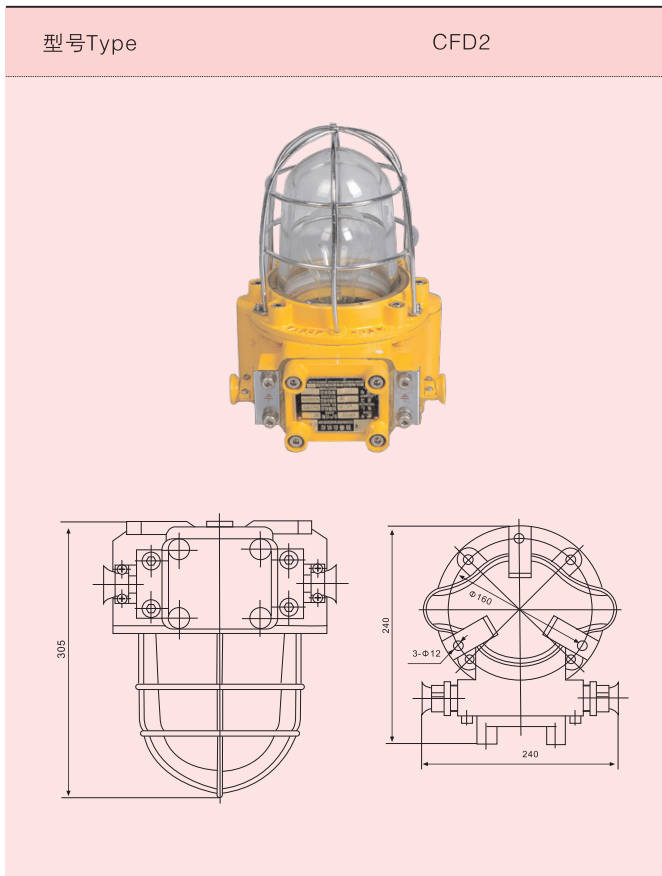


CFD防爆灯 EXPLOSION-PROOF LIGHT



适用范围 The scope

安全可靠的使用在有爆炸空气混合物的场所，爆炸性混合物质IIA，IIB，温度组别为T1-T4的舱内和露天场所。

It can be used safety and reliably in the place with explosive air mixture, with explosive matters IIA, IIB, The temperature group is T1-T4 in cabin and outdoor place.

产品特点 Products characteristic

- 1、壳体为优质黄铜铸造成型，钢化玻璃灯罩，铜质网罩；
- 2、填料函分两种，一种为管螺纹式，螺紋为G3/4；一种为喇叭式。

1. The shell is made of good quality brass foundry, toughened glass lampshade, copper material net shield.
2. The gland has two kind, one is tube screw type screw is G3/4; Another one is bugle-type.

采用标准 Adopt standard

符合国际GB12045《船用防爆灯技术条件》。

Conform to National standard GB12045<The technical condition of Marine explosion-proof light>.

规格 Specifications

型号 Type	防爆标志 Explosion-proof Mark	电压 Voltage	功率 Power	光源 Illuminant	灯头形式 Lamp Holder	电缆外径 Cable Outside Diameter	防护等级 Protection Class	材质 Material	重量 Weight
CFD2a	Exd II BT3	220V	200W	白炽灯 Incandescent lamp	E27	Φ11-Φ14	IP55	铜 Brass	19kg
CFD2b	Exd II BT3	220	125W	自镇流高压汞灯 Self-ballast High-pressure Mercury Lamp	E27	Φ11-Φ14	IP55	铜 Brass	19kg
CFD3	Exd II BT4	24V	25W	白炽灯 Incandescent lamp	E27	Φ11-Φ14	IP66	铜 Brass	13.5kg
		110V	40W/60W						
		220V	40W/60W/100W						