

产品特点 Product characteristic

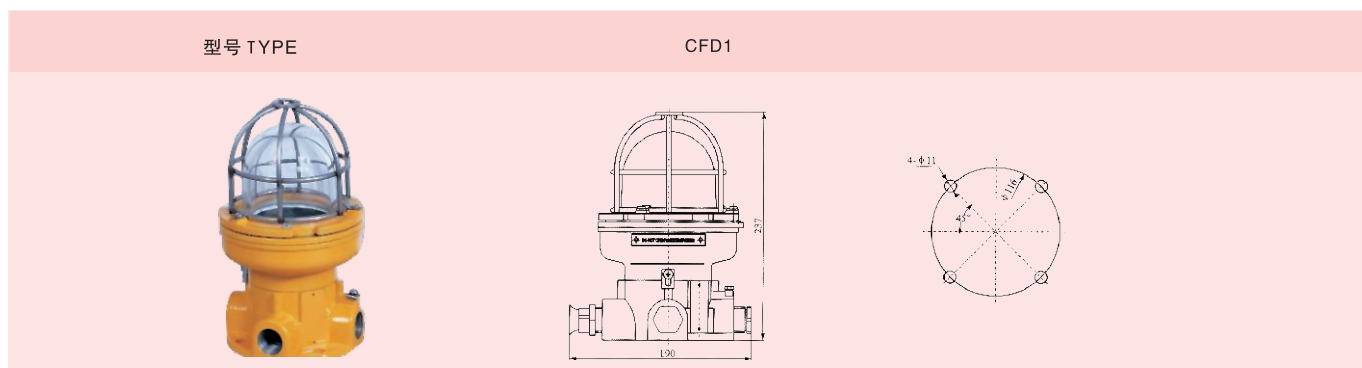
1. 手柄采用优质橡胶模压成型，优质钢化玻璃灯罩，带防护网罩；
2. 灯体采用密封结构，具有较高的防水性能和防腐性能，适合船舶检修或装卸物等临时工作场地照明；
3. 符合《钢质海船入级规范》国家标准GB3836-2000标准，GB12045,En50014,En50018, En60079

1. The handle adopts good quality rubber, good quality toughened glass lampshade, with guard.
2. The lamp body adopts seal structure, has high waterproof performance and anticorrosive performance, fit for illuminating temporary work place used for checking and repiring ship or loading or unloading goods.
3. Conform to GRADE ENTRY NORMS FOR STEEL SHIPS, and National standard GB3836-2000, GB12045,En50014, En50018, En60079

规格 Specifications

| IMPA CODE | 防爆标志 Explosion-proof mark | 电压 Voltage | 功率W Power | 光源 illuminant | 灯座 lamp holder | 电缆外径 Cable outside diameter | 防护等级 protection class | 重量 Weight |
|--------------------------------------|------------------------------|---------------------|--------------|--------------------------|-------------------|--------------------------------|--------------------------|--------------|
| 792171 792172 792173 792174 | CFS1 | 220V 24V 110V | 60W 100W | 白炽灯 Incandescent lamp | E27 | Φ8~Φ10 | IP56 | 2.7kg |

防爆白炽船顶 EXPLSION-PROOF PENDANT LIGHT



产品特点 Product characteristic

1. 壳体采用优质铸铝模压成型，优质钢化玻璃灯罩，带防护网罩；
2. 灯体采用密封结构，具有较高的防水性能和防腐性能，
3. 符合《钢质海船入级规范》国家标准GB3836-2000，GB12045。

4. 适用的环境温度-20° C--+45° C。

1. The shell adopts good quality cast aluminum, good quality toughened glass lampshade, with guard.
2. The lamp body adopts seal structure, has high waterproof performance and anticorrosive performance.
3. Conform to GRADE ENTRY NORMS FOR STEEL SHIPS National standard GB3836-2000, GB12045.
4. Fitting to ambient temperature:-20° C--+45° C.

规格 Specifications

| 型号 Model | 防爆标志 Explosion-proof mark | 电压 Voltage | 功率W Power | 灯座 Lamp holder | 光源 illuminant | 电缆外径 Cable outside diameter | 防护等级 protection class | 重量 Weight |
|-------------|------------------------------|---------------|--------------|-------------------|--------------------------|--------------------------------|--------------------------|--------------|
| CFD1 | Exd II CT4 | 220V/24V | ≤100W | E27 | 白炽灯 Incandescent lamp | Φ11~Φ13 | IP66 | 2.9kg |